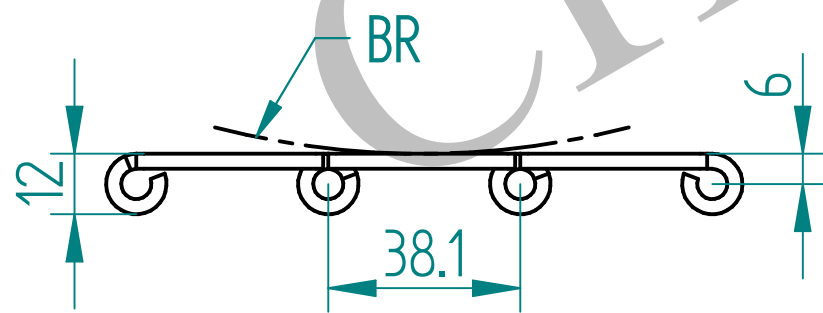
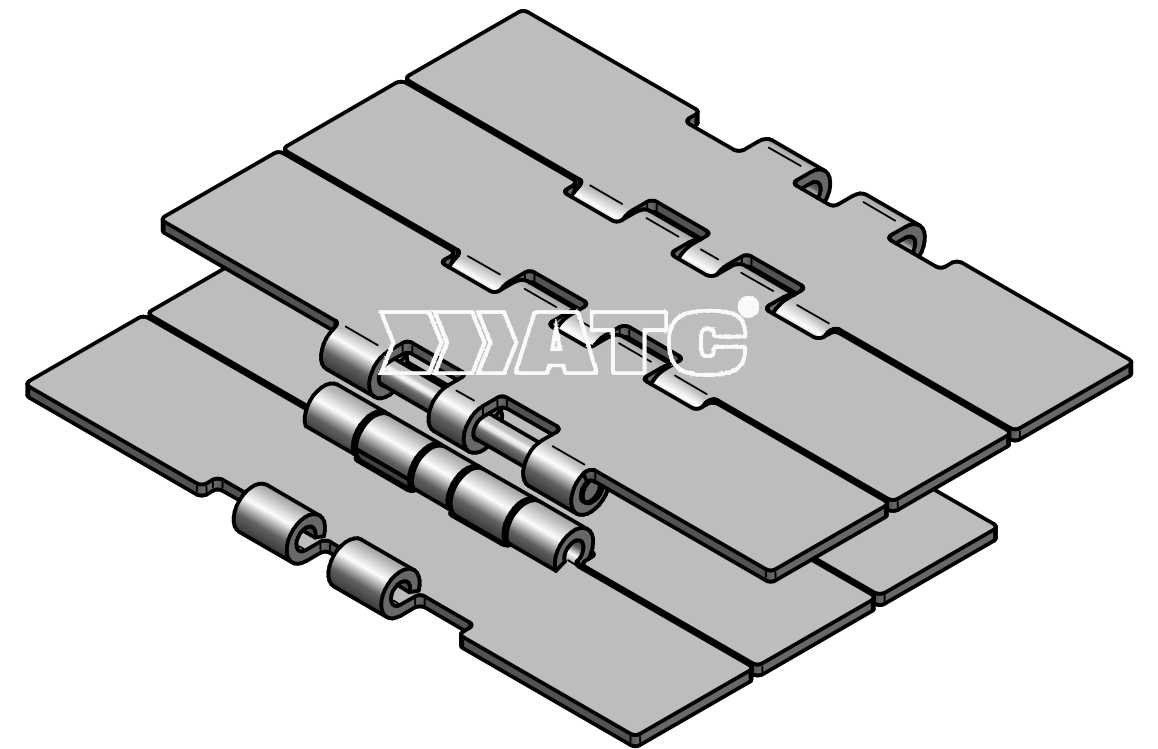
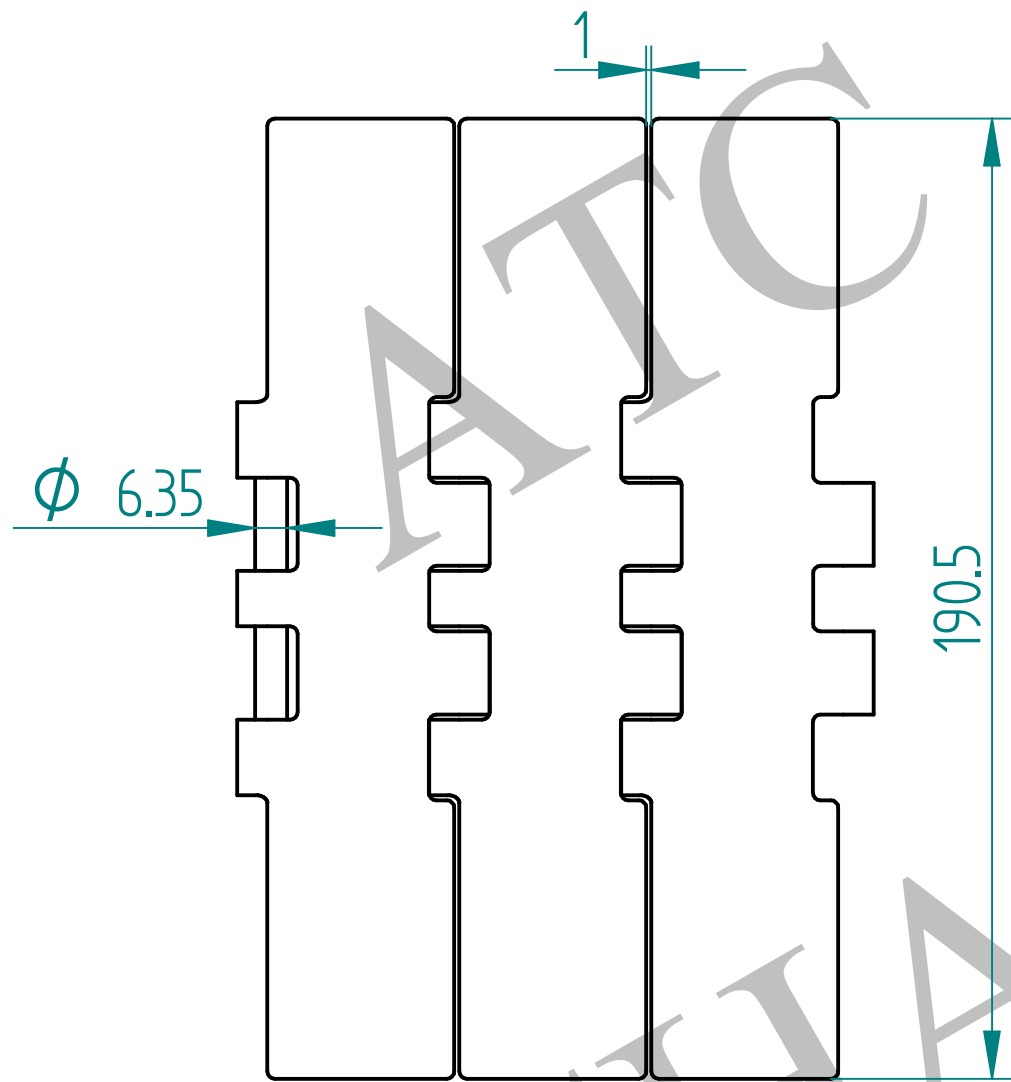


SS 802-K750 (190.5MM)



Material	
1	S.S 304
2	S.S 316
3	S.S 430

REV.	REF.	DESCRIPTION	CHG.	CHK.	DATE	DWG. PART/NO.	PRODUCT NO.	QNTY:	WEIGHT:	MATERIAL:	SCALE:
THIS DOCUMENT IS A PROPERTY OF ATC CHAINS INDIA AND MUST NOT UNDER ANY CIRCUMSTANCES BE COPIED IN ITS ORIGINAL OR MODIFIED STATE, REPRODUCED OR USED FOR ANY UNAUTHORIZED PURPOSE IN ANY FORM, PRINT, ELECTONIC ETC. WITHOUT WRITTEN PERMISSION FROM ATC CHAINS INDIA . MANUAL CHANGES ARE NOT ALLOWED.									ATC CHAINS INDIA		
							DRAWN BY:		SIGN:		DATE:
							CHECKED BY:		CUSTOMER:		
							APPROVED BY:		CUSTOMER DWG. NO.:		
							PRODUCT NO.:		WEIGHT:		MATERIAL:
							QNTY:		SCALE:		A4

ATC CHAINS INDIA

ALL DIMENSIONS ARE IN MM